

# DATA SHEET

## SURFACE-MOUNT CERAMIC MULTILAYER CAPACITORS

General purpose & High capacitance

Class 2, Y5V

6.3 V TO 50 V

10 nF to 47  $\mu$ F

RoHS compliant & Halogen Free



SCOPE

This specification describes Y5V series chip capacitors with lead-free terminations.

APPLICATIONS

Consumer electronics, for example:

- Tuners
- Television receivers
- Video recorders
- All types of cameras
- Mobile telephones

FEATURES

Supplied in tape on reel  
 Nickel-barrier end termination  
 RoHS compliant  
 Halogen Free compliant

ORDERING INFORMATION - GLOBAL PART NUMBER, PHYCOMP

CTC & I2NC

All part numbers are identified by the series, size, tolerance, TC material, packing style, voltage, process code, termination and capacitance value.

**YAGEO BRAND ordering code**

**GLOBAL PART NUMBER (PREFERRED)**

**CC** XXXX X X **Y5V** X **BB** XXX  
 (1) (2) (3) (4) (5)

**(1) SIZE – INCH BASED (METRIC)**

- 0201 (0603)
- 0402 (1005)
- 0603 (1608)
- 0805 (2012)
- 1206 (3216)
- 1210 (3225)

**(2) TOLERANCE**

- M = ±20%
- Z = -20% to +80%

**(3) PACKING STYLE**

- R = Paper/PE taping reel; Reel 7 inch
- K = Blister taping reel; Reel 7 inch
- P = Paper/PE taping reel; Reel 13 inch
- F = Blister taping reel; Reel 13 inch

**(4) RATED VOLTAGE**

- 5 = 6.3 V
- 6 = 10 V
- 7 = 16 V
- 8 = 25 V
- 9 = 50 V

**(5) CAPACITANCE VALUE**

2 significant digits+number of zeros  
 The 3rd digit signifies the multiplying factor, and letter R is decimal point  
 Example: 103 =  $10 \times 10^3 = 10,000 \text{ pF} = 10 \text{ nF}$

**CONSTRUCTION**

The capacitor consists of a rectangular block of ceramic dielectric in which a number of interleaved metal electrodes are contained. This structure gives rise to a high capacitance per unit volume.

The inner electrodes are connected to the two end terminations and finally covered with a layer of plated tin (NiSn). The terminations are lead-free. A cross section of the structure is shown in Fig.1.

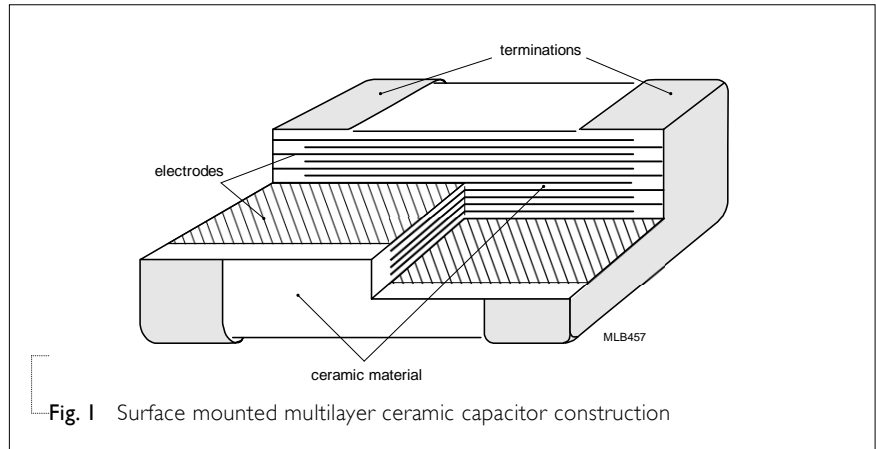


Fig. 1 Surface mounted multilayer ceramic capacitor construction

**DIMENSION**

Table I For outlines see fig. 2

| TYPE | L <sub>1</sub> (mm)      | W (mm)                    | T (MM)                | L <sub>2</sub> / L <sub>3</sub> (mm) |      | L <sub>4</sub> (mm) |
|------|--------------------------|---------------------------|-----------------------|--------------------------------------|------|---------------------|
|      |                          |                           |                       | min.                                 | max. | min.                |
| 0201 | 0.6 ±0.03                | 0.3 ±0.03                 | Refer to table 2 to 4 | 0.10                                 | 0.20 | 0.20                |
| 0402 | 1.0 ±0.05                | 0.5 ±0.05                 |                       | 0.15                                 | 0.35 | 0.30                |
| 0603 | 1.6 ±0.10                | 0.8 ±0.10                 |                       | 0.20                                 | 0.60 | 0.40                |
| 0805 | 2.0 ±0.10 <sup>(1)</sup> | 1.25 ±0.10 <sup>(1)</sup> |                       | 0.25                                 | 0.75 | 0.70                |
|      | 2.0 ±0.20 <sup>(2)</sup> | 1.25 ±0.20 <sup>(2)</sup> |                       |                                      |      |                     |
| 1206 | 3.2 ±0.15 <sup>(1)</sup> | 1.6 ±0.15 <sup>(1)</sup>  |                       | 0.25                                 | 0.75 | 1.40                |
|      | 3.2 ±0.30 <sup>(2)</sup> | 1.6 ±0.20 <sup>(2)</sup>  |                       |                                      |      |                     |
| 1210 | 3.2 ±0.20 <sup>(1)</sup> | 2.5 ±0.20 <sup>(1)</sup>  |                       | 0.25                                 | 0.75 | 1.40                |
|      | 3.2 ±0.40 <sup>(2)</sup> | 2.5 ±0.30 <sup>(2)</sup>  |                       |                                      |      |                     |
| 1812 | 4.5 ±0.20 <sup>(1)</sup> | 3.2 ±0.20 <sup>(1)</sup>  |                       | 0.25                                 | 0.75 | 2.20                |
|      | 4.5 ±0.40 <sup>(2)</sup> | 3.2 ±0.40 <sup>(2)</sup>  |                       |                                      |      |                     |

**NOTE**

1. Dimension for size 0805 to 1812, C ≤ 100 nF
2. Dimension for size 0805 to 1812, C > 100 nF

**OUTLINES**

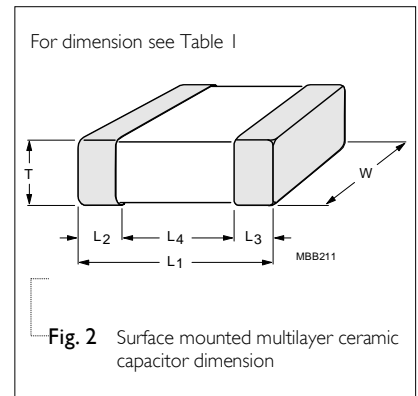


Fig. 2 Surface mounted multilayer ceramic capacitor dimension

**CAPACITANCE RANGE & THICKNESS FOR Y5V**

Table 2 Sizes from 0201 to 0402

| CAP.   | 0201     |          | 0402     |          |          |          |          |
|--------|----------|----------|----------|----------|----------|----------|----------|
|        | 6.3 V    | 25 V     | 6.3 V    | 10 V     | 16 V     | 25 V     | 50 V     |
| 10 nF  |          | 0.3±0.03 |          | 0.5±0.05 | 0.5±0.05 | 0.5±0.05 | 0.5±0.05 |
| 22 nF  |          |          |          | 0.5±0.05 | 0.5±0.05 | 0.5±0.05 |          |
| 47 nF  |          |          |          | 0.5±0.05 | 0.5±0.05 | 0.5±0.05 |          |
| 100 nF | 0.3±0.03 |          | 0.5±0.05 | 0.5±0.05 | 0.5±0.05 | 0.5±0.05 |          |
| 220 nF |          |          | 0.5±0.05 | 0.5±0.05 | 0.5±0.05 |          |          |
| 470 nF |          |          | 0.5±0.05 | 0.5±0.05 | 0.5±0.05 |          |          |
| 1.0 µF |          |          | 0.5±0.05 | 0.5±0.05 |          |          |          |
| 2.2 µF |          |          |          |          |          |          |          |
| 4.7 µF |          |          |          |          |          |          |          |
| 10 µF  |          |          |          |          |          |          |          |
| 22 µF  |          |          |          |          |          |          |          |
| 47 µF  |          |          |          |          |          |          |          |

Table 3 Sizes from 0603 to 0805

| CAP.   | 0603    |         |         |         |         | 0805     |          |          |          |          |
|--------|---------|---------|---------|---------|---------|----------|----------|----------|----------|----------|
|        | 6.3 V   | 10 V    | 16 V    | 25 V    | 50 V    | 6.3 V    | 10 V     | 16 V     | 25 V     | 50 V     |
| 10 nF  |         |         |         | 0.8±0.1 | 0.8±0.1 |          |          |          | 0.6±0.1  | 0.6±0.1  |
| 22 nF  |         |         |         | 0.8±0.1 | 0.8±0.1 |          |          |          | 0.6±0.1  | 0.6±0.1  |
| 47 nF  |         |         |         | 0.8±0.1 | 0.8±0.1 |          |          |          | 0.85±0.1 | 0.85±0.1 |
| 100 nF |         |         | 0.8±0.1 | 0.8±0.1 | 0.8±0.1 |          |          |          | 0.6±0.1  | 0.6±0.1  |
| 220 nF |         |         | 0.8±0.1 | 0.8±0.1 | 0.8±0.1 |          |          | 0.6±0.1  | 0.85±0.1 | 0.85±0.1 |
| 470 nF |         |         | 0.8±0.1 | 0.8±0.1 |         |          |          | 0.85±0.1 | 0.85±0.1 | 0.85±0.1 |
| 1.0 µF | 0.8±0.1 | 0.8±0.1 | 0.8±0.1 | 0.8±0.1 |         |          |          | 0.85±0.1 | 0.85±0.1 | 1.25±0.2 |
| 2.2 µF | 0.8±0.1 | 0.8±0.1 | 0.8±0.1 |         |         | 0.85±0.1 | 0.85±0.1 | 0.85±0.1 | 1.25±0.2 |          |
| 4.7 µF | 0.8±0.1 | 0.8±0.1 |         |         |         | 0.85±0.1 | 0.85±0.1 | 1.25±0.2 |          |          |
| 10 µF  |         |         |         |         |         | 1.25±0.2 | 1.25±0.2 |          |          |          |
| 22 µF  |         |         |         |         |         | 1.25±0.2 | 1.25±0.2 |          |          |          |
| 47 µF  |         |         |         |         |         |          |          |          |          |          |

**NOTE**

1. Values in shaded cells indicate thickness class in mm
2. Capacitance value of non E-3 series is on request

**CAPACITANCE RANGE & THICKNESS FOR Y5V**

**Table 4** Sizes from 1206 to 1210

| CAP.   | 1206     |          |          |          |          | 1210    |         |         |         |         |
|--------|----------|----------|----------|----------|----------|---------|---------|---------|---------|---------|
|        | 6.3 V    | 10 V     | 16 V     | 25 V     | 50 V     | 6.3 V   | 10 V    | 16 V    | 25 V    | 50V     |
| 10 nF  |          |          |          | 0.85±0.1 | 0.85±0.1 |         |         |         |         |         |
| 22 nF  |          |          |          | 0.85±0.1 | 0.85±0.1 |         |         |         |         |         |
| 47 nF  |          |          |          | 0.85±0.1 | 0.85±0.1 |         |         |         |         |         |
| 100 nF |          |          |          | 0.6±0.1  | 0.6±0.1  |         |         |         |         |         |
| 220 nF |          |          |          | 0.6±0.1  | 0.6±0.1  |         |         |         |         |         |
| 470 nF |          |          |          | 0.85±0.1 | 0.85±0.1 |         |         |         |         |         |
| 1.0 µF |          |          | 0.85±0.1 | 0.85±0.1 | 0.85±0.1 |         |         |         |         |         |
| 2.2 µF |          | 0.85±0.1 | 0.85±0.1 | 0.85±0.1 |          |         |         |         |         |         |
| 4.7 µF |          | 0.85±0.1 | 0.85±0.1 |          |          |         |         |         |         |         |
| 10 µF  | 0.85±0.1 | 0.85±0.1 | 1.15±0.1 | 1.6±0.2  |          | 1.5±0.1 | 1.5±0.1 | 1.5±0.1 | 1.5±0.1 | 1.5±0.1 |
| 22 µF  | 1.6±0.2  | 1.6±0.2  | 1.6±0.2  |          |          | 1.6±0.2 | 1.6±0.2 | 1.6±0.2 |         |         |
| 47 µF  |          |          |          |          |          |         |         |         |         |         |

**NOTE**

1. Values in shaded cells indicate thickness class in mm
2. Capacitance value of non E-3 series is on request

**THICKNESS CLASSES AND PACKING QUANTITY**

Table 5

| SIZE CODE | THICKNESS CLASSIFICATION | TAPE WIDTH<br>QUANTITY PER REEL | Ø180 MM / 7 INCH |                | Ø330 MM / 13 INCH |         | QUANTITY PER BULK CASE |
|-----------|--------------------------|---------------------------------|------------------|----------------|-------------------|---------|------------------------|
|           |                          |                                 | Paper            | Blister        | Paper             | Blister |                        |
| 0201      | 0.3 ±0.03 mm             | 8 mm                            | 15,000           | ---            | 50,000            | ---     | ---                    |
| 0402      | 0.5 ±0.05 mm             | 8 mm                            | 10,000           | ---            | 50,000            | ---     | 50,000                 |
| 0603      | 0.8 ±0.1 mm              | 8 mm                            | 4,000            | ---            | 15,000            | ---     | 15,000                 |
| 0805      | 0.6 ±0.1 mm              | 8 mm                            | 4,000            | ---            | 20,000            | ---     | 10,000                 |
|           | 0.85 ±0.1 mm             | 8 mm                            | 4,000            | ---            | 15,000            | ---     | 8,000                  |
|           | 1.25 ±0.2 mm             | 8 mm                            | ---              | 3,000          | ---               | 10,000  | 5,000                  |
| 1206      | 0.6 ±0.1 mm              | 8 mm                            | 4,000            | ---            | 20,000            | ---     | ---                    |
|           | 0.85 ±0.1 mm             | 8 mm                            | 4,000            | ---            | 15,000            | ---     | ---                    |
|           | 1.00 / 1.15 ±0.1 mm      | 8 mm                            | ---              | 3,000          | ---               | 10,000  | ---                    |
|           | 1.25 ±0.2 mm             | 8 mm                            | ---              | 3,000          | ---               | 10,000  | ---                    |
|           | 1.6 ±0.15 mm             | 8 mm                            | ---              | 2,500          | ---               | 10,000  | ---                    |
|           | 1.6 ±0.2 mm              | 8 mm                            | ---              | 2,000          | ---               | 10,000  | ---                    |
| 1210      | 0.6 / 0.7 ±0.1 mm        | 8 mm                            | ---              | 4,000          | ---               | 15,000  | ---                    |
|           | 0.85 ±0.1 mm             | 8 mm                            | ---              | 4,000          | ---               | 10,000  | ---                    |
|           | 1.15 ±0.1 mm             | 8 mm                            | ---              | 3,000          | ---               | 10,000  | ---                    |
|           | 1.15 ±0.15 mm            | 8 mm                            | ---              | 3,000          | ---               | 10,000  | ---                    |
|           | 1.25 ±0.2 mm             | 8 mm                            | ---              | 3,000          | ---               | ---     | ---                    |
|           | 1.5 ±0.1 mm              | 8 mm                            | ---              | 2,000          | ---               | ---     | ---                    |
|           | 1.6 / 1.9 ±0.2 mm        | 8 mm                            | ---              | 2,000          | ---               | ---     | ---                    |
|           | 2.0 ±0.2 mm              | 8 mm                            | ---              | 2,000<br>1,000 | ---               | ---     | ---                    |
|           | 2.5 ±0.2 mm              | 8 mm                            | ---              | 1,000<br>500   | ---               | ---     | ---                    |

ELECTRICAL CHARACTERISTICS

**Y5V DIELECTRIC CAPACITORS; NISN TERMINATIONS**

Unless otherwise specified, all test and measurements shall be made under standard atmospheric conditions for testing as given in 5.3 of IEC 60068-1:

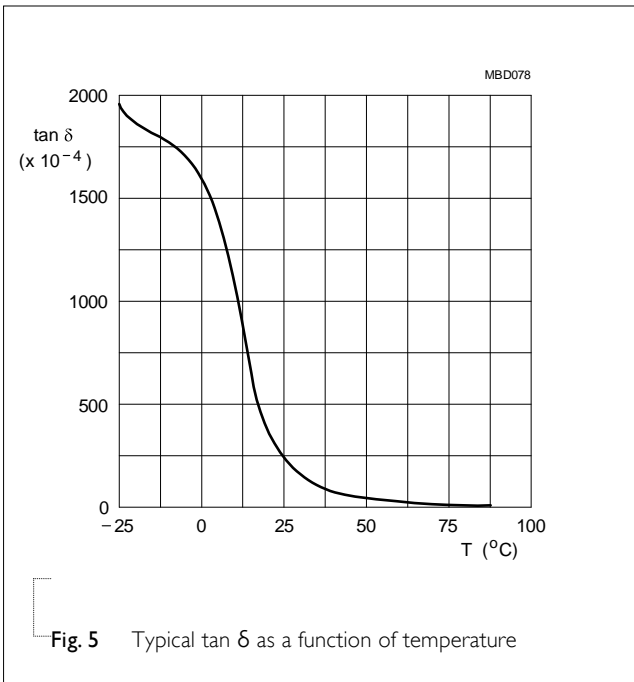
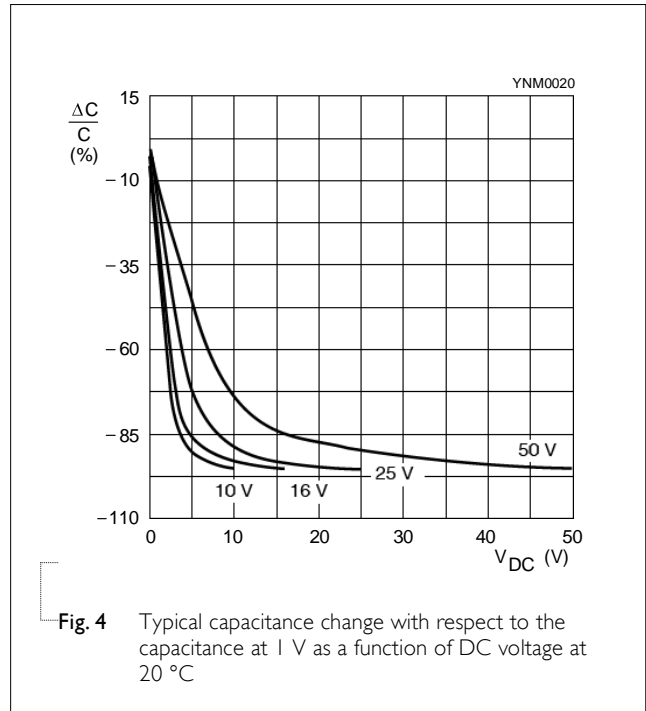
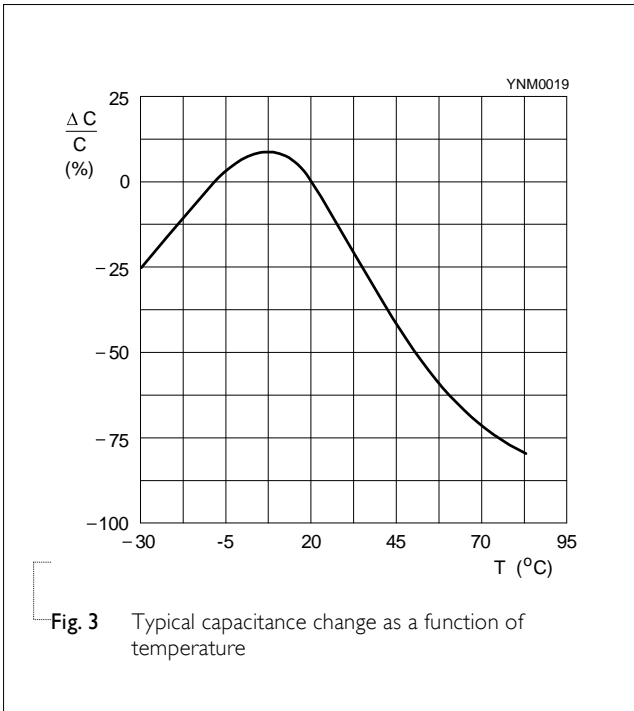
- Temperature: 15 °C to 35 °C
- Relative humidity: 25% to 75%
- Air pressure: 86 kPa to 106 kPa

Before the measurements are made, the capacitor shall be stored at the measuring temperature for a time sufficient to allow the entire capacitor to reach this temperature.

The period as prescribed for recovery at the end of a test is normally sufficient for this purpose.

Table 6

| DESCRIPTION   | VALUE   |
|---|---|
| Capacitance range   | 10 nF to 22 µF  |
| Capacitance tolerance   | ±20%<br>-20% to +80%  |
| Dissipation factor (D.F.)   | ≤ 15%   |
| ≤ 6.3 V   | Exception: 0805 ≥ 22 µF ≤ 20%   |
| 10 V  | ≤ 12.5%   |
| Exception: 0402 ≥ 680 nF; 0603 ≥ 2.2 µF; 0805 = 10 µF;  | ≤ 15%   |
| 0805 ≥ 22 µF; 1206 ≥ 10 µF  | ≤ 20%   |
| 16 V  | ≤ 12.5%   |
| Exception: 0603 ≥ 4.7 µF  | ≤ 15%   |
| 1206 ≥ 10 µF  | ≤ 20%   |
| ≥ 25 V  | ≤ 9%  |
| Exception: 0201 ≥ 10 nF   | ≤ 12.5%   |
| Insulation resistance after 1 minute at U <sub>r</sub> (DC)                                       | R <sub>ins</sub> ≥ 10 GΩ or R <sub>ins</sub> × Cr ≥ 500 Ω.F whichever is less<br>R <sub>ins</sub> × Cr ≥ 100 Ω.F : 0603 , 4.7uF, 6.3V and 10V; 0805, 22uF, 10V;<br>R <sub>ins</sub> × Cr ≥ 50Ω.F: 0805, 22uF, 6.3V; |
| Maximum capacitance change as a function of temperature (temperature characteristic/coefficient): | +22% to -82%  |
| Operating temperature range:  | -30 °C to +85 °C  |



**SOLDERING RECOMMENDATION**

Table 7

| SOLDERING METHOD | SIZE        |          |          |          |          |             |
|------------------|-------------|----------|----------|----------|----------|-------------|
|                  | 0201        | 0402     | 0603     | 0805     | 1206     | ≥ 1210      |
| Reflow           | Reflow only | > 100 nF | > 1.0 μF | > 2.2 μF | > 2.2 μF | Reflow only |
| Reflow/Wave      |             | ≤ 100 nF | ≤ 1.0 μF | ≤ 2.2 μF | ≤ 2.2 μF | ---         |

**TESTS AND REQUIREMENTS**

**Table 8** Test procedures and requirements

| TEST                                     | TEST METHOD         | PROCEDURE   | REQUIREMENTS  |
|--|---------------------|---|---|
| Mounting                                 | IEC 60384-21/22 4.3 | The capacitors may be mounted on printed-circuit boards or ceramic substrates   | No visible damage   |
| Visual inspection and dimension check    | 4.4                 | Any applicable method using × 10 magnification  | In accordance with specification  |
| Capacitance <sup>(1)</sup>               | 4.5.1               | Class 2:<br>At 20 °C, 24 hrs after annealing<br>f = 1 KHz for C ≤ 10 μF, rated voltage > 6.3 V, measuring at voltage 1 V <sub>rms</sub> at 20 °C<br>f = 1 KHz, for C ≤ 10 μF, rated voltage ≤ 6.3 V, measuring at voltage 0.5 V <sub>rms</sub> at 20 °C<br>f = 120 Hz for C > 10 μF, measuring at voltage 0.5 V <sub>rms</sub> at 20 °C | Within specified tolerance  |
| Dissipation factor (D.F.) <sup>(1)</sup> | 4.5.2               | Class 2:<br>At 20 °C, 24 hrs after annealing<br>f = 1 KHz for C ≤ 10 μF, rated voltage > 6.3 V, measuring at voltage 1 V <sub>rms</sub> at 20 °C<br>f = 1 KHz, for C ≤ 10 μF, rated voltage ≤ 6.3 V, measuring at voltage 0.5 V <sub>rms</sub> at 20 °C<br>f = 120 Hz for C > 10 μF, measuring at voltage 0.5 V <sub>rms</sub> at 20 °C | In accordance with specification  |
| Insulation resistance                    | 4.5.3               | At U <sub>r</sub> (DC) for 1 minute   | In accordance with specification  |
| Temperature characteristic               | 4.6                 | Class 2:<br>Between minimum and maximum temperature<br>Y5V: -30 °C to +85 °C<br>Normal Temperature: 20 °C   | <General purpose series><br>ΔC/C<br>Class 2:<br>Y5V: 22% to -82%<br><br><High Capacitance series><br>ΔC/C<br>Class 2:<br>Y5V: 22% to -82% |
| Adhesion                                 | 4.7                 | A force applied for 10 seconds to the line joining the terminations and in a plane parallel to the substrate  | Force<br>size ≥ 0603: 5N<br>size = 0402: 2.5N<br>size = 0201: 1N  |

**NOTE:**

1. For individual product specification, please contact local sales.

| TEST             | TEST METHOD     | PROCEDURE   | REQUIREMENTS   |
|------------------|-----------------|---|--|
| Bending strength | IEC 60384-21/22 | 4.8 Mounting in accordance with IEC 60384-22 paragraph 4.3<br><br>Conditions: bending 1 mm at a rate of 1 mm/s, radius jig 5 mm   | No visible damage<br><br><General purpose series><br>$\Delta C/C$<br>Class2:<br>Y5V: $\pm 10\%$<br><br><High Capacitance series><br>$\Delta C/C$<br>Class2:<br>Y5V: $\pm 10\%$   |
|                  |                 | 4.9 Precondition: 150 $\pm 10$ °C for 1 hour, then keep for 24 $\pm 1$ hours at room temperature<br>Preheating: for size $\leq$ I206: 120 °C to 150 °C for 1 minute<br>Preheating: for size $>$ I206: 100 °C to 120 °C for 1 minute and 170 °C to 200 °C for 1 minute<br>Solder bath temperature: 260 $\pm 5$ °C<br>Dipping time: 10 $\pm 0.5$ seconds<br>Recovery time: 24 $\pm 2$ hours | Dissolution of the end face plating shall not exceed 25% of the length of the edge concerned<br><br><General purpose series><br>$\Delta C/C$<br>Class2:<br>Y5V: $\pm 20\%$<br><br><High Capacitance series><br>$\Delta C/C$<br>Class2:<br>Y5V: $\pm 20\%$<br><br>D.F. within initial specified value<br>$R_{ins}$ within initial specified value |
| Solderability    | 4.10            | Preheated the temperature of 80 °C to 140 °C and maintained for 30 seconds to 60 seconds.<br><br>1. Temperature: 235 $\pm 5$ °C / Dipping time: 2 $\pm 0.5$ s<br>2. Temperature: 245 $\pm 5$ °C / Dipping time: 3 $\pm 0.5$ s (lead free)<br><br>Depth of immersion: 10mm   | The solder should cover over 95% of the critical area of each termination  |

| TEST                               | TEST METHOD          | PROCEDURE   | REQUIREMENTS   |
|------------------------------------|----------------------|---|--|
| Rapid change of temperature        | IEC 60384-21/22 4.11 | <p>Preconditioning;<br/>150 +0/-10 °C for 1 hour, then keep for 24 ±1 hours at room temperature</p> <p>5 cycles with following detail:<br/>30 minutes at lower category temperature<br/>30 minutes at upper category temperature</p> <p>Recovery time 24 ±2 hours</p>   | <p>No visual damage</p> <hr/> <p>&lt;General purpose series&gt;<br/>ΔC/C<br/>Class2:<br/>Y5V: ±20%</p> <p>&lt;High Capacitance series&gt;<br/>ΔC/C<br/>Class2:<br/>Y5V: ±20%</p> <hr/> <p>D.F. meet initial specified value<br/>R<sub>ins</sub> meet initial specified value</p>   |
| Damp heat with U <sub>r</sub> load | 4.13                 | <ol style="list-style-type: none"> <li>Preconditioning, class 2 only:<br/>150 +0/-10 °C /1 hour, then keep for 24 ±1 hour at room temp</li> <li>Initial measure:<br/>Spec: refer initial spec C, D, IR</li> <li>Damp heat test:<br/>500 ±12 hours at 40 ±2 °C;<br/>90 to 95% R.H. 1.0 U<sub>r</sub> applied</li> <li>Recovery:<br/>Class 2: 24 ±2 hours</li> <li>Final measure: C, D, IR</li> </ol> <p>P.S. If the capacitance value is less than the minimum value permitted, then after the other measurements have been made the capacitor shall be precondition according to "IEC 60384 4.1" and then the requirement shall be met.</p> | <p>No visual damage after recovery</p> <hr/> <p>&lt;General purpose series&gt;<br/>ΔC/C<br/>Class2:<br/>Y5V: ±30%<br/>D.F.<br/>Class2:<br/>Y5V: ≤ 15%<br/>R<sub>ins</sub><br/>Class2:<br/>Y5V: ≥ 500 MΩ or R<sub>ins</sub> × C<sub>r</sub> ≥ 25s<br/>whichever is less</p> <p>&lt;High Capacitance series&gt;<br/>ΔC/C<br/>Class2:<br/>Y5V: ±30%<br/>D.F.<br/>Class2:<br/>Y5V: 2 × initial value max<br/>R<sub>ins</sub><br/>Class2:<br/>Y5V: 500 MΩ or R<sub>ins</sub> × C<sub>r</sub> ≥ 5s<br/>whichever is less</p> |

| TEST      | TEST METHOD          | PROCEDURE   | REQUIREMENTS   |
|-----------|----------------------|---|--|
| Endurance | IEC 60384-21/22 4.14 | 1. Preconditioning, class 2 only:<br>150 +0/-10 °C /1 hour, then keep for<br>24 ±1 hour at room temp<br><br>2. Initial measure:<br>Spec: refer initial spec C, D, IR<br><br>3. Endurance test:<br>Temperature: Y5V: 85 °C<br>Specified stress voltage applied for 1,000 hours:<br>Applied 2.0 × U <sub>r</sub> for general product.<br>Applied 1.5 × U <sub>r</sub> for high cap. product.<br><br>4. Recovery time: 24 ±2 hours<br><br>5. Final measure: C, D, IR<br><br>P.S. If the capacitance value is less than the minimum value permitted, then after the other measurements have been made the capacitor shall be precondition according to "IEC 60384 4.1" and then the requirement shall be met. | No visual damage<br><br><hr/> <b>&lt;General purpose series&gt;</b><br>ΔC/C<br>Class2:<br>Y5V: ±30%<br>D.F.<br>Class2:<br>Y5V: ≤ 15%<br>R <sub>ins</sub><br>Class2:<br>Y5V: ≥ 1,000 MΩ or R <sub>ins</sub> × C <sub>r</sub> ≥ 50s<br>whichever is less<br><br><b>&lt;High Capacitance series&gt;</b><br>ΔC/C<br>Class 2:<br>Y5V: ±30%<br>D.F.<br>Class 2:<br>Y5V: 2 × initial value max<br>R <sub>ins</sub><br>Class 2:<br>Y5V: 1,000 MΩ or R <sub>ins</sub> × C <sub>r</sub> ≥ 10s<br>whichever is less |
|           |                      | Voltage proof IEC 60384-1 4.6 Specified stress voltage applied for 1~5 seconds<br>U <sub>r</sub> ≤ 100 V: series applied 2.5 U <sub>r</sub><br>Charge/Discharge current is less than 50 mA  | No breakdown or flashover  |

**REVISION HISTORY**

| REVISION   | DATE          | CHANGE NOTIFICATION | DESCRIPTION  |
|------------|---------------|---------------------|--|
| Version 15 | Mar. 12, 2025 | -                   | - Update 1206, 10nF to 47nF, 25V to 50V thickness<br>- Update 0805, 47nF, 25V to 50V thickness   |
| Version 14 | Dec. 21, 2023 | -                   | - Update 0805, 10 $\mu$ F, 10V D.F. value  |
| Version 13 | Aug. 10, 2023 | -                   | - 1206, 1 $\mu$ F, 16V and 50V   |
| Version 12 | Dec. 14, 2022 | -                   | - Add 0603, 220nF, 50V   |
| Version 11 | Oct. 05, 2021 | -                   | - Update 0805, 1210 I.R. spec, modify 0402 L4 spec   |
| Version 10 | Apr. 29, 2021 | -                   | - Update 1206 $\geq$ 10 $\mu$ F, 16V Df value  |
| Version 9  | Nov. 11, 2019 | -                   | - Add 0603, 4.7 $\mu$ F, 10V   |
| Version 8  | Mar. 7, 2017  | -                   | - 0805 L4 spec updated   |
| Version 7  | Dec. 9, 2016  | -                   | - Soldering recommendation update  |
| Version 6  | Jan. 12, 2016 | -                   | - Update capacitance range & thickness   |
| Version 5  | Jul. 29, 2010 | -                   | - Modify the last 2-digit of 12NC  |
| Version 4  | Jun. 24, 2010 | -                   | - Dimension on 1206 case size updated  |
| Version 3  | Apr. 22, 2010 | -                   | - Dimension updated  |
| Version 2  | Feb. 04, 2010 | -                   | - The statement of "Halogen Free" on the cover added   |
| Version 1  | Nov. 04, 2009 | -                   | - Ordering code updated<br>- Dimension updated   |
| Version 0  | Apr. 15, 2009 | -                   | - New datasheet for general purpose and high capacitance Y5V series with RoHS compliant<br>- Replace the "6.3V to 50V" part of pdf files: Y5V_6.3V_10V_9_Preliminary, Y5V_10V-to-50V_10_Preliminary, Y5V_16V_25V_50V_11<br>- Combine 0201 from pdf files: UP-NPOX5RX7RY5V_0201_6.3-to-50V_2 and UY-NPOX5RX7RY5V_0201_6.3-to-50V_2<br>- Define global part number<br>- Description of "Halogen Free compliant" added<br>- Test method and procedure updated |

## LEGAL DISCLAIMER

YAGEO, its distributors and agents (collectively, "YAGEO"), hereby disclaims any and all liabilities for any errors, inaccuracies or incompleteness contained in any product related information, including but not limited to product specifications, datasheets, pictures and/or graphics. YAGEO may make changes, modifications and/or improvements to product related information at any time and without notice.

YAGEO makes no representation, warranty, and/or guarantee about the fitness of its products for any particular purpose or the continuing production of any of its products. To the maximum extent permitted by law, YAGEO disclaims (i) any and all liability arising out of the application or use of any YAGEO product, (ii) any and all liability, including without limitation special, consequential or incidental damages, and (iii) any and all implied warranties, including warranties of fitness for a particular purpose, non-infringement and merchantability.

YAGEO products are designed for general purpose applications under normal operation and usage conditions. Please contact YAGEO for the applications listed below which require especially high reliability for the prevention of defects which might directly cause damage to the third party's life, body or property: Aerospace equipment (artificial satellite, rocket, etc.), Atomic energy-related equipment, Aviation equipment, Disaster prevention equipment, crime prevention equipment, Electric heating apparatus, burning equipment, Highly public information network equipment, data-processing equipment, Medical devices, Military equipment, Power generation control equipment, Safety equipment, Traffic signal equipment, Transportation equipment and Undersea equipment, or for any other application or use in which the failure of YAGEO products could result in personal injury or death, or serious property damage. Particularly **YAGEO Corporation and its affiliates do not recommend the use of commercial or automotive grade products for high reliability applications or manned space flight.**

Information provided here is intended to indicate product specifications only. YAGEO reserves all the rights for revising this content without further notification, as long as products are unchanged. Any product change will be announced by PCN.